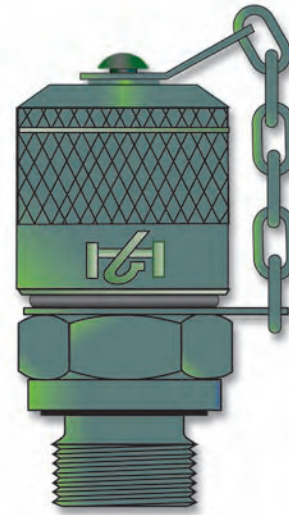
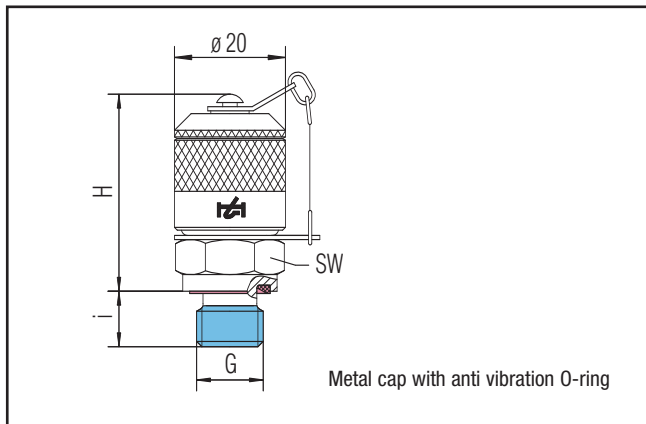


MINIMESS®-1615 Test Points



Thread G	Type of sealing A	Torque in Nm	Technical data			Material: Free cutting steel 1.0718	Material: Stainless steel 1.4571	
			p max	H in mm	i in mm	SW in mm	Metal cap	Metal cap
M 10 x 1	Form G	12	63 MPa	37,5	8,5	17	2102-01-33.00	2702-01-33.10
M 12 x 1,5	Form F	30		36	10	17	2102-01-13.00	on request
M 14 x 1,5		40		36	10	19	2102-01-14.00	on request
M 16 x 1,5	Form B	60		36	10	19	2102-01-50.00	on request
ISO 228-G 1/4	Form F	40		36	10	19	2102-01-18.00	2702-01-18.10
1/4 NPTF	Form H	-		33	16,5	17	2102-01-47.00	on request

Option

For FKM (Viton) Exchange end digits from 00 to 10	10
---	-----------

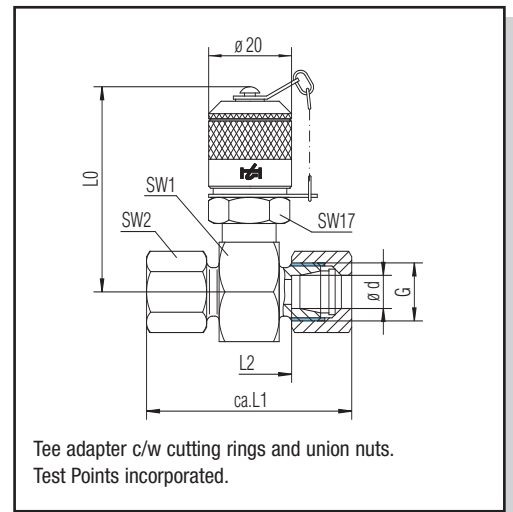
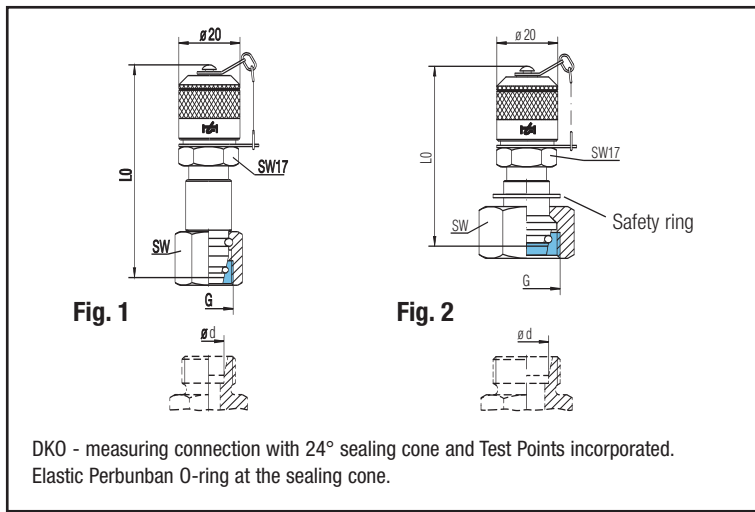
MINIMESS®-1615 Specialised Options

Thread G	Type of sealing	p max	H in mm	L in mm	SW in mm	Execution all sealing made of Viton	Part-number
M 14 x 1,5	Gi-ring	63 MPa	36	12	19	With anti vibration O-ring, alternative housing length	2102-01-14.48
ISO 228- G 1/4	Sealing edge		38	10	19	Low temperature -54°C to +110°C	2102-01-51.56
M 14 x 1,5	Gi-ring		36	12	19	With sintered bronze filter	2102-72-14.10

Other materials, further options, sealing and screw-in threads on request.
We reserve the right to carry out technical modifications.

MINIMESS®-1615 Test Points Metric DKO, Tee Adaptors-1615

For solder free screw-in pipe connections according to DIN 2353; execution free-cutting steel 1.0718; sealing NBR



Series Ø d	p max	Thread G
L 6	31,5 MPa	M 12 x 1,5
L 8		M 14 x 1,5
L 10		M 16 x 1,5
L 12		M 18 x 1,5
L 15		M 22 x 1,5
L 18	16 MPa	M 26 x 1,5
L 22		M 30 x 2
L 28		M 36 x 2
L 35		M 45 x 2
L 42		M 52 x 2

Fig.	L ₀	SW	Part-number
1	69,5	14	2102-40-06.00
	69,5	17	2102-40-08.00
	69,5	19	2102-40-10.00
	65,5	22	2102-40-12.00
	59	27	2102-40-15.00
2	60	32	2102-40-18.00
	60	36	2102-40-22.00
	61	41	2102-40-28.00
	63	50	2102-40-35.00
	63	60	2102-40-42.00

L ₁	L ₂	L ₀	SW ₁	SW ₂	Part-number
50,5	20,5	49,5	24	14	2102-11-06.00
50,5	20,5	49,5	24	17	2102-11-08.00
52,5	22,5	49,5	24	19	2102-11-10.00
52,5	22,5	49,5	24	22	2102-11-12.00
54,5	24,5	52,5	30	27	2102-11-15.00
56,5	23,5	53,5	32	32	2102-11-18.00
60,5	27,5	55,5	36	36	2102-11-22.00
60,5	27,5	58	41	41	2102-11-28.00
68,5	25,5	60,5	46	50	2102-11-35.00
70,5	24,5	65	55	60	2102-11-42.00

S 6	63 MPa	M 14 x 1,5
S 8		M 16 x 1,5
S 10		M 18 x 1,5
S 12		M 20 x 1,5
S 14		M 22 x 1,5
S 16	40 MPa	M 24 x 1,5
S 20		M 30 x 2
S 25		M 36 x 2
S 30		M 42 x 2
S 38		31,5 MPa

1	69,5	17	2102-41-06.00
	69,5	19	2102-41-08.00
	69,5	22	2102-41-10.00
	65,5	24	2102-41-12.00
	62,5	27	2102-41-14.00
2	62,5	30	2102-41-16.00
	63	36	2102-41-20.00
	64,5	46	2102-41-25.00
	66	50	2102-41-30.00
	69	60	2102-41-38.00

54,5	24,5	49,5	24	17	2102-12-06.00
54,5	24,5	49,5	24	19	2102-12-08.00
56,5	23,5	49,5	24	22	2102-12-10.00
56,5	23,5	49,5	24	24	2102-12-12.00
62,5	26,5	51	27	27	2102-12-14.00
62,5	25,5	52,5	30	30	2102-12-16.00
68,5	25,5	55,5	36	36	2102-12-20.00
74,5	26,5	58	41	46	2102-12-25.00
80,5	27,5	60,5	46	50	2102-12-30.00
91	29	65	55	60	2102-12-38.00

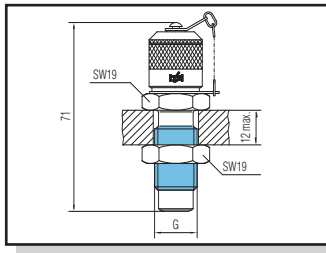
Option

All sealing made of Viton with metal cap (when ordering, exchange end digits from 00 to 10)

10

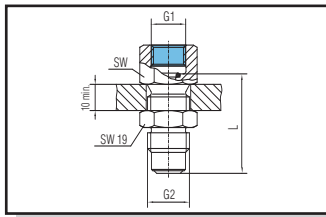
Other materials, further options, sealing and screw-in threads on request.

MINIMESS®-1615 Test Points 1615 Bulkhead Adaptors



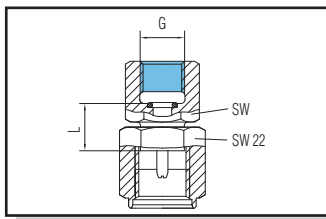
Thread G	p max	Connection	Part-number
M 16 x 1,5	63 MPa	On both sides MINIMESS® 1615 connection	2102-04-01.00

MINIMESS®-1615 pressure gauge connection for bulkhead fitting



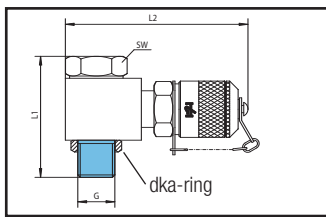
Internal thread G1	p max	Connection G2	L in mm	SW in mm	Note	Part-number
ISO 228-G 1/4	63 MPa	1615 / M 16 x 1,5	38	19	Without return valve	2102-05-11.00
ISO 228-G 1/2			42,5	27		2102-05-12.00

MINIMESS®-1615 pressure gauge – direct connection



Internal thread G	p max	L in mm	SW in mm	Part-number
ISO 228-G 1/4	63 MPa	14,5	19	2102-07-11.62
ISO 228-G 1/2		17	27	2102-07-12.62
1/4 NPT		–	19	2102-07-23.62

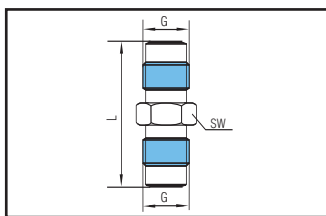
MINIMESS®-1615 Test Points 1615 90° Swivel screw connection



Thread G	p max	L ₁ in mm	L ₂ in mm	SW in mm	Part-number
ISO 228-G 1/4	63 MPa	43	69,5	19	2115-22-24.00

Sealing on screw-in thread (hollow screw) via dka-ring, on hexagon via Gi-ring (NBR).
Other options on request.

MINIMESS®-1615 Hose Adaptors



Thread G	p max	L in mm	SW in mm	Note	Part-number
MINIMESS® 1615 M 16 x 1,5	63 MPa	42	17	Without return valve	2146-10-00.00

Other materials, further options, sealing and screw-in threads on request.

Authorised distributors in India



Techni Towers, C-54/A, APIE, Balanagar, Hyderabad - 500 037 (AP)
Tel. Nos. : 040-23778803, 23778804, 23871445. Fax No.040-23876781
E-mail : business@techniaids.com // URL : www.techniaids.com

